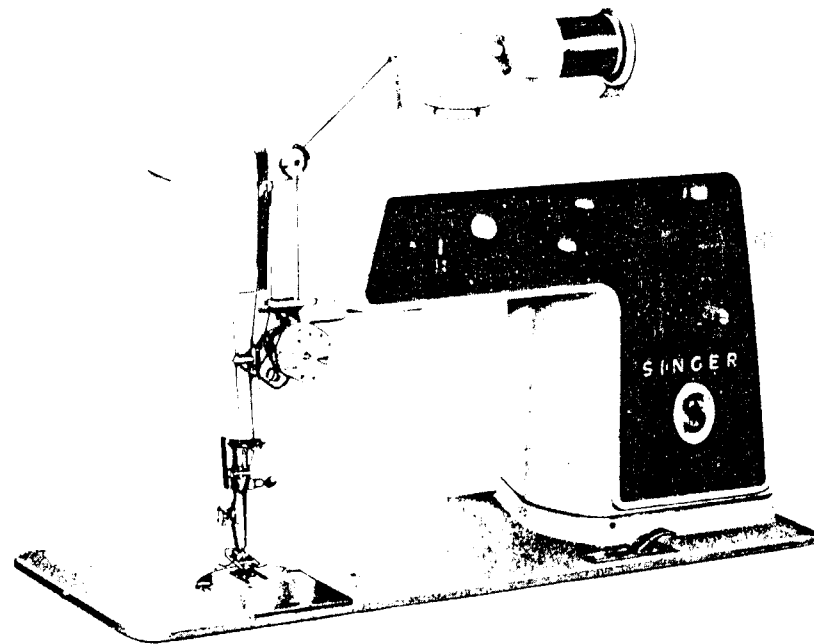


SINGER
626E1/626E6/626E7

Machine No. 626E

List of Parts—Machines Nos. 626E1, 626E6 and 626E7



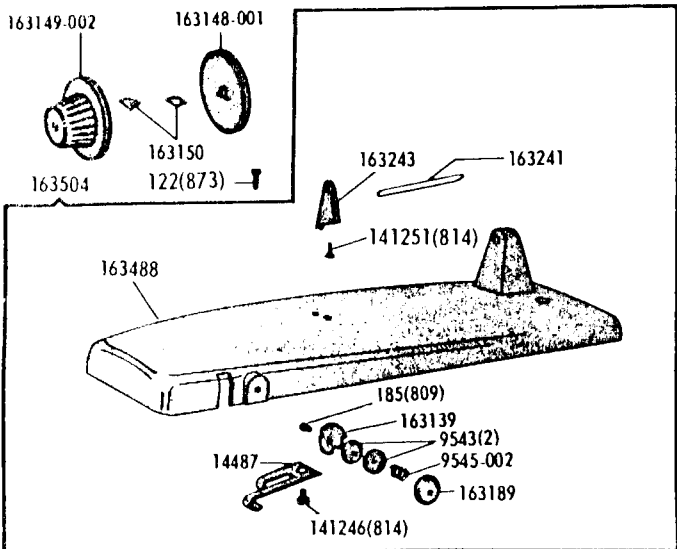
ATTACHMENT SET 161872

- | | |
|------------|--------------------|
| 21906 | Loop Retainer Disc |
| 21913 | Throat Plate |
| 161133 | Tube of Oil |
| 161276 | Lint Brush |
| 161871 | Attachment Box |
| 163242 | Spool Pin |
| 163131 | Bobbin (2) |
| 163455 | Thread Guide |
| 170071-001 | Presser Foot |
| 174529 | Throat Plate |
| 2020(15x1) | Needles 14 (3) |

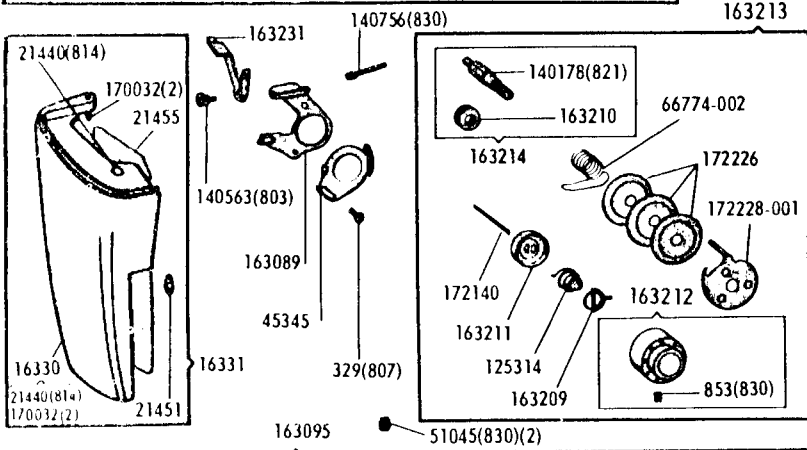
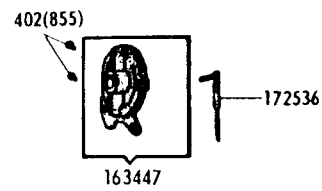
From the Singer Sewing Machine Co.



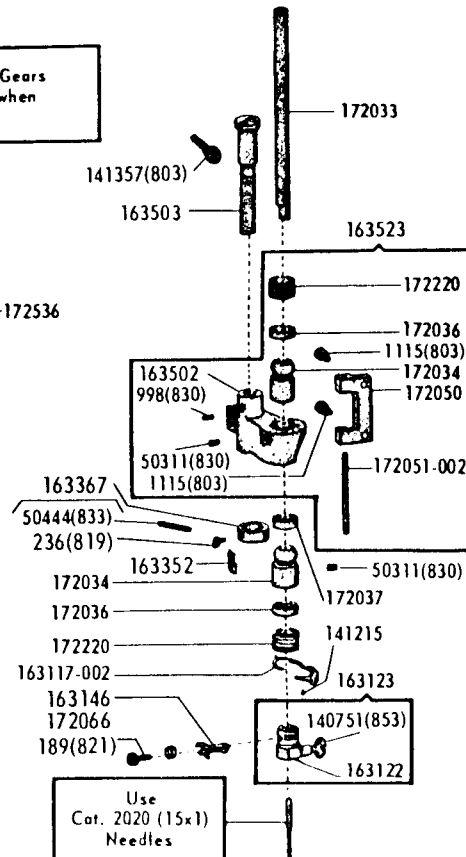
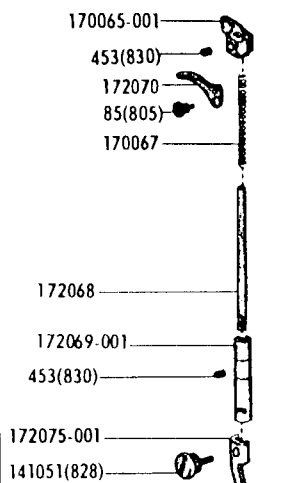
List of Parts—Machines Nos. 626E1, 626E6 and 626E7



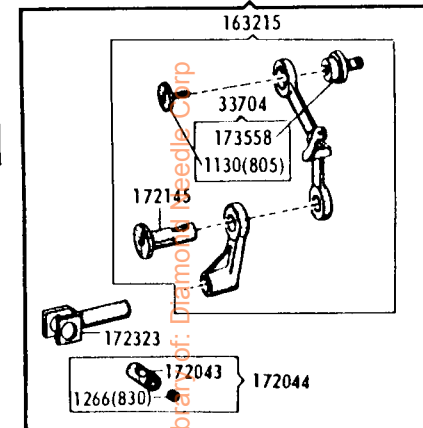
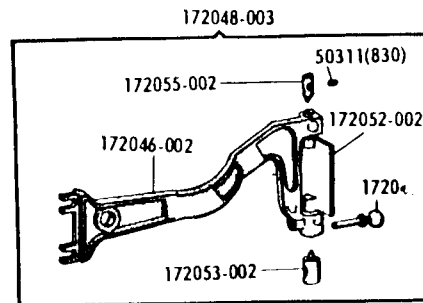
NOTE: Set of Mated Gears or Individual Gears are not furnished. Supplied only when repairs are made at the factory.



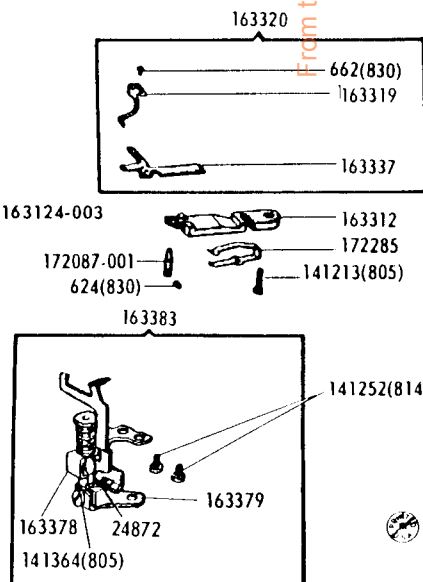
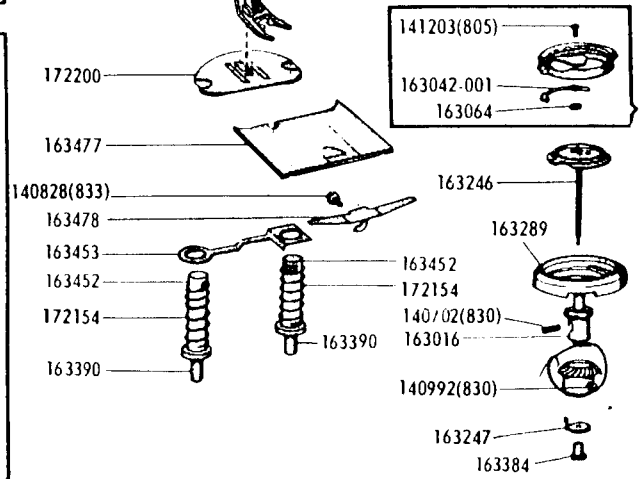
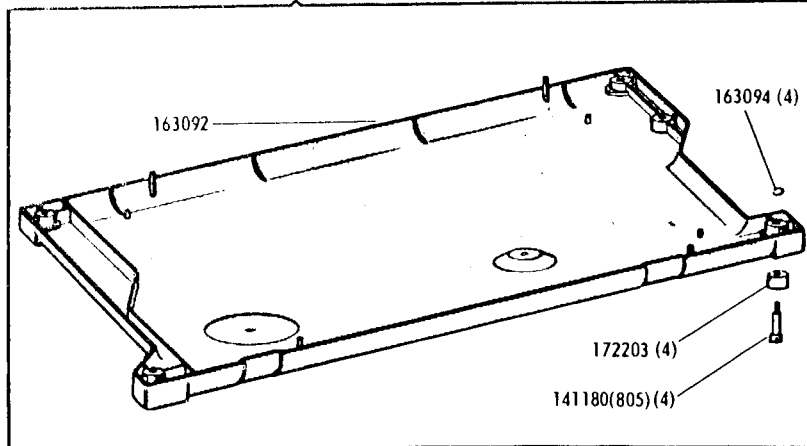
163213



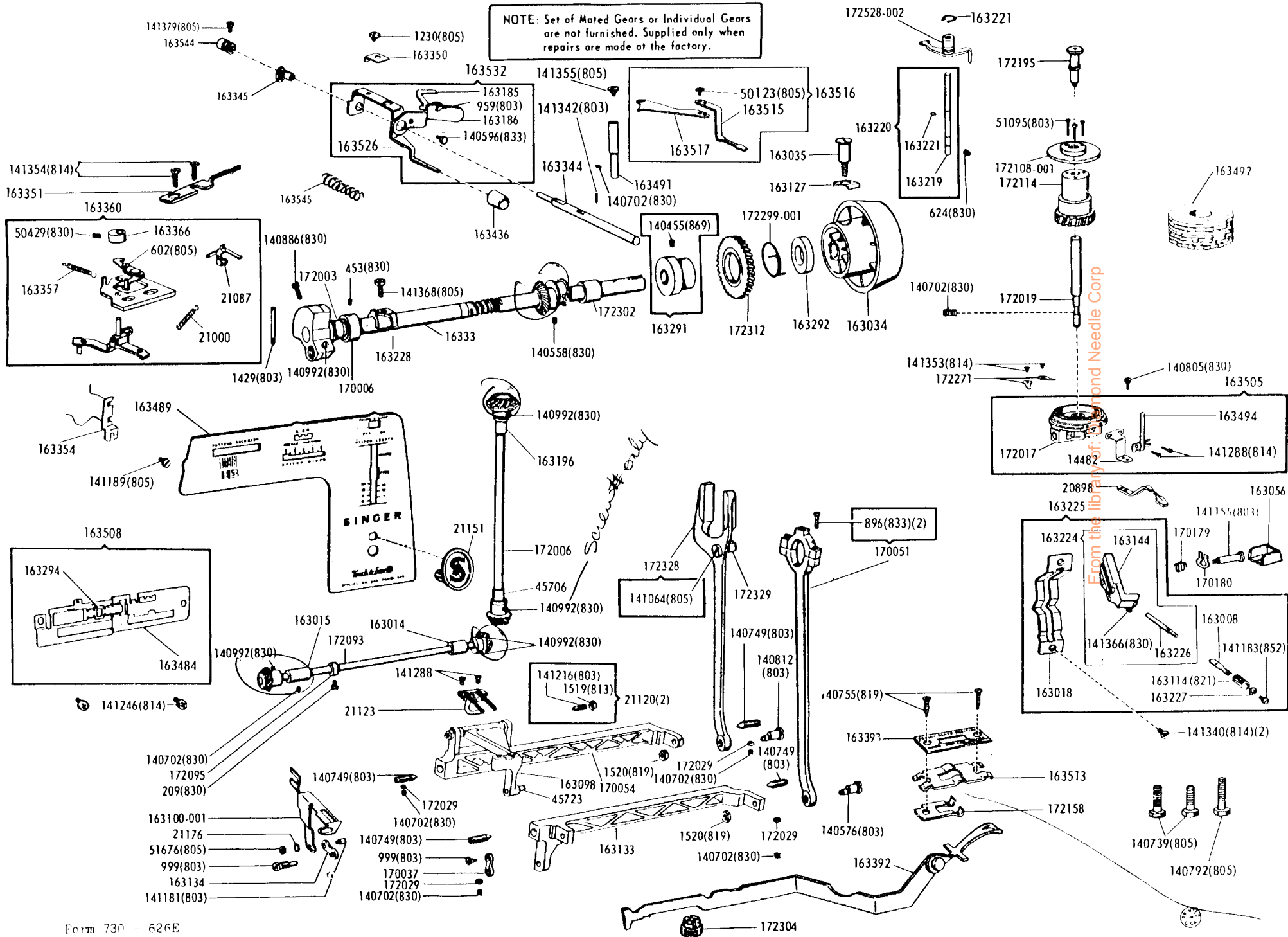
Use
Cat. 2020 (15x1)
Needles



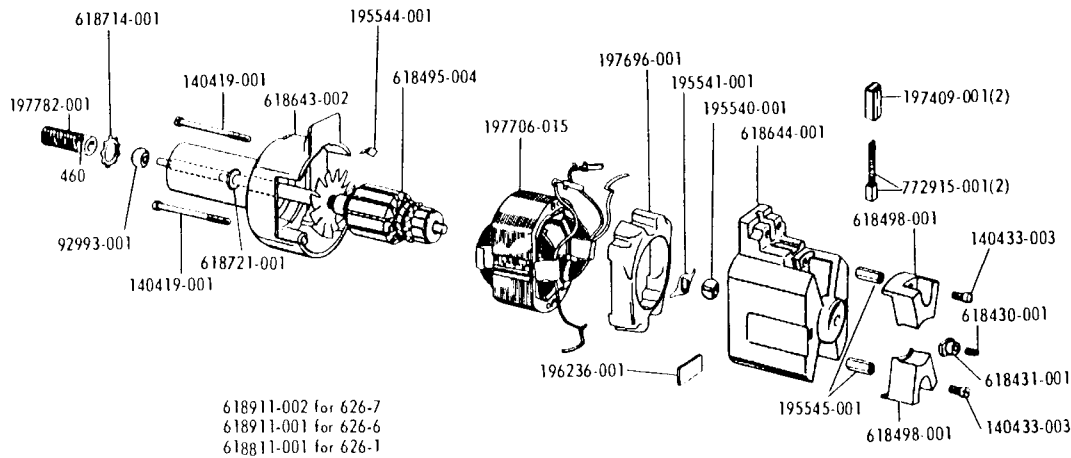
From the library of: **Erasmus Seedling Corp**



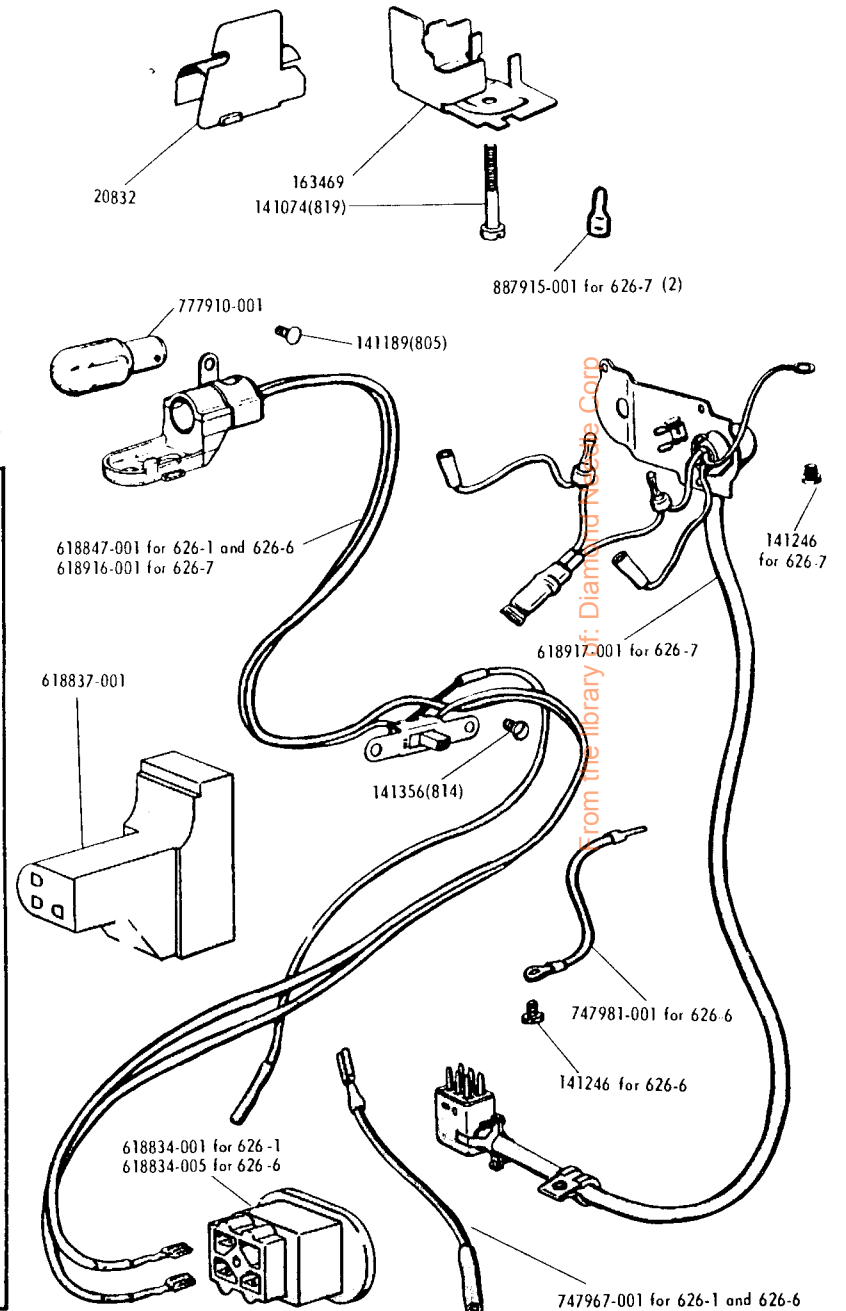
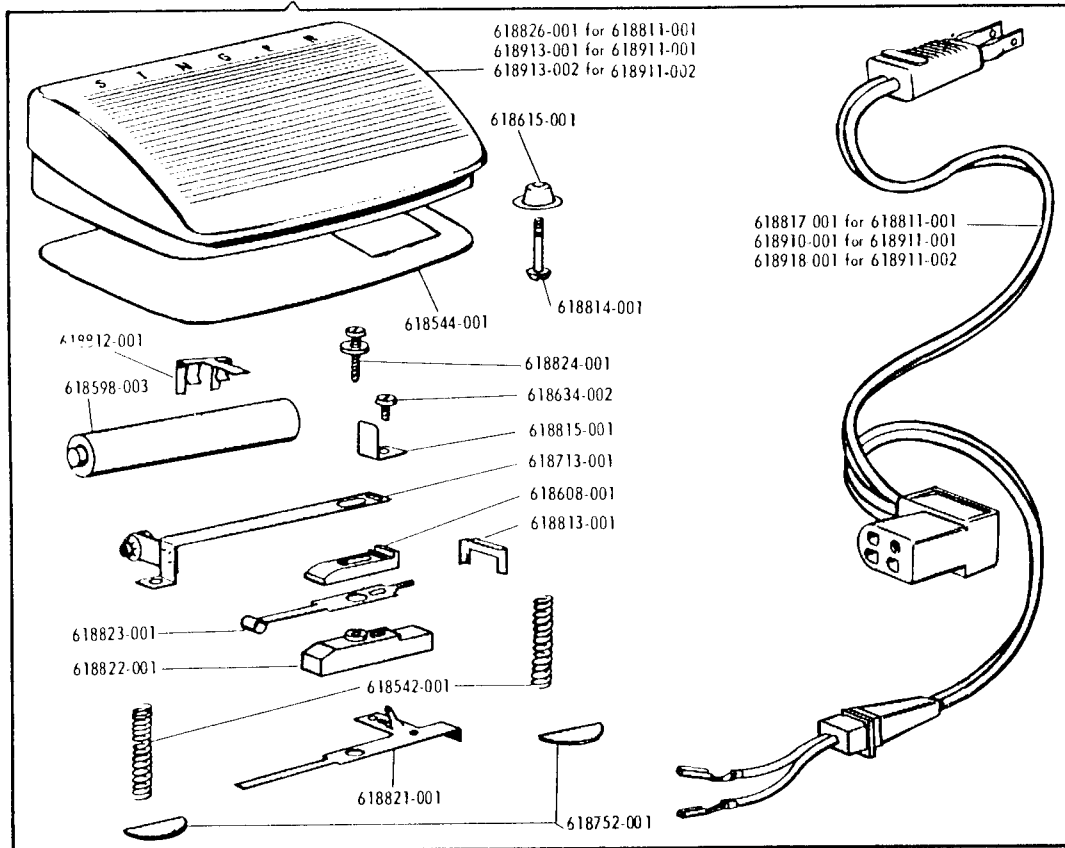
List of Parts—Machines Nos. 626E1, 626E6 and 626E7



Electrical Parts—Machines Nos. 626E1, 626E6 and 626E7



618911-002 for 626-7
618911-001 for 626-6
618811-001 for 626-1



from the library: Diamant & Sore Co.

